



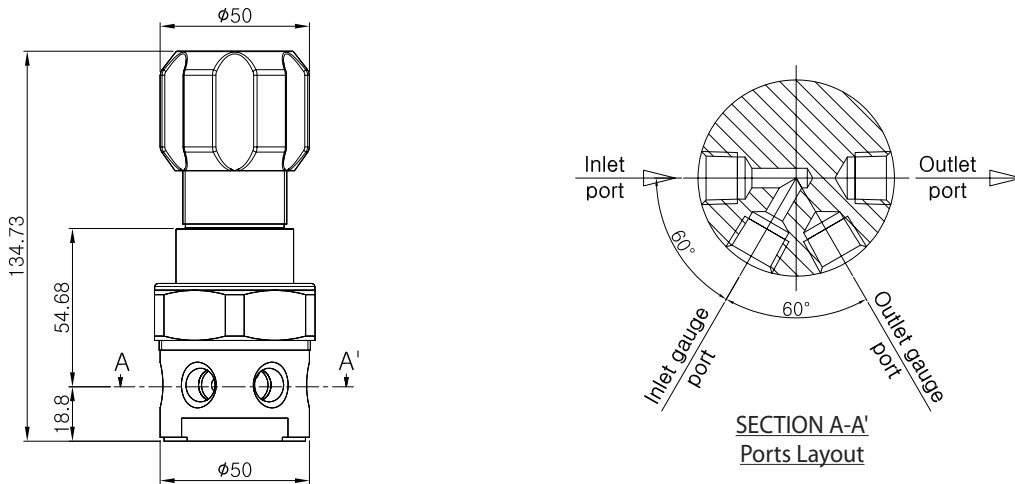
**Factory Test**

Every valve is factory tested with nitrogen gas @1,000 psig (68.9 barg) for leakage to a maximum allowable leak rate of 0.1 SCCM at seat. Hydraulic shell test is optionally performed at 1.5 times the working pressure to a requirement of no detectable leakage with a liquid leak detector.

**Cleaning and Packaging**

Every valve is cleaned and packaged in accordance with DK-Lok cleaning standard DC-01. Special cleaning and packaging in accordance with DK-Lok DC-11 ensures compliance with product cleaning of ASTM G93 Level C is available on request for valves with PCTFE and PTFE seats.

**Dimensions and Port Layout**



**Designation for Port Layout**

Port Layout				
Designation	Nil	0	3	X4

**How to order**

Select applicable valve basic ordering number, options and body material designator listed below.

**VR6-F-4N**

Port Layout	Seat Materials	Self-Vent Options	Body Material
Nil : 4 ports (60° per port) 0 : None of gauge port 3 : 3 port (1 for Gauge) X4 : 4 ports (90° per port)	Nil : Standard PCTFE PK : PEEK	Nil : None	S : 316L Stainless steel

**Safe Valve Selection**

The selection of a valve for any application or system design must be considered to ensure safe performance. Valve Function, valve rating, material compatibility, proper installation, operation and maintenance retain the sole responsibility of the system designer and the user. DK-Lok accepts no liability for any improper selection, installation, operation or maintenance.