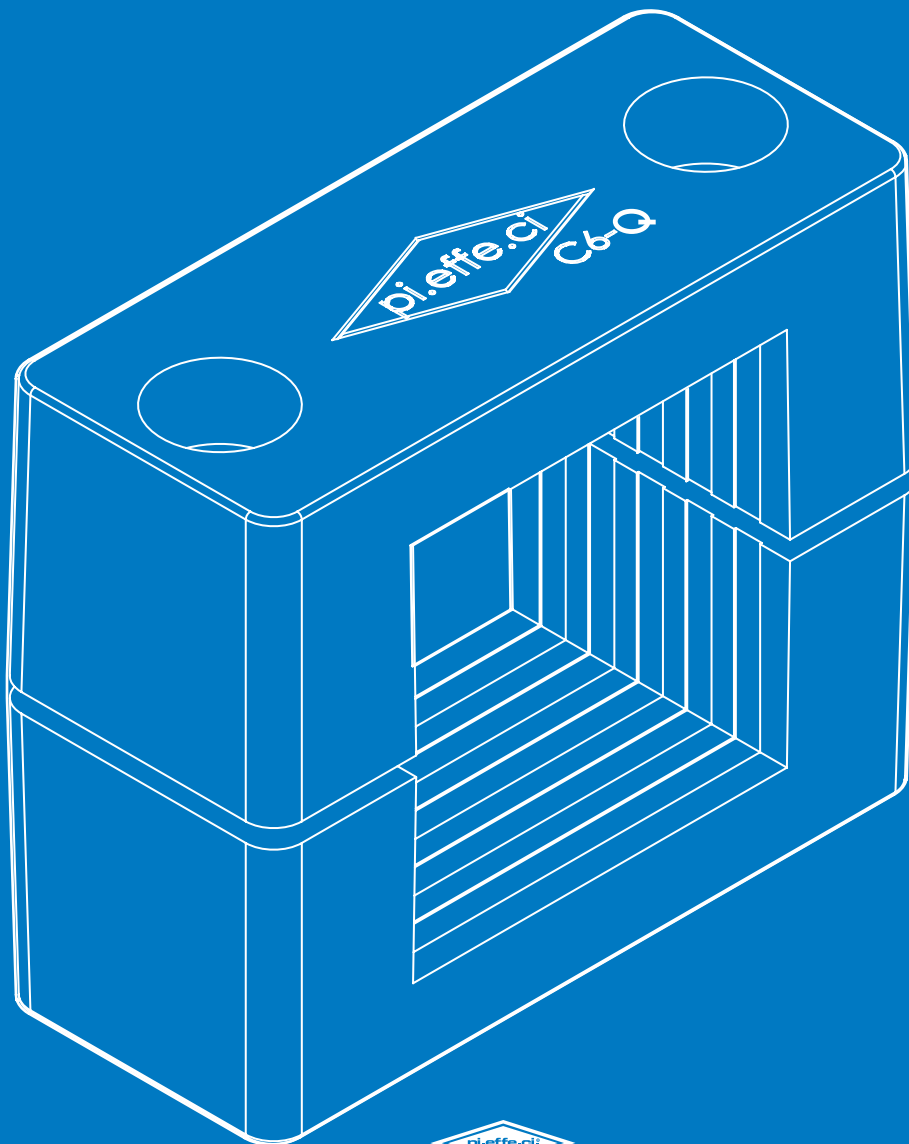


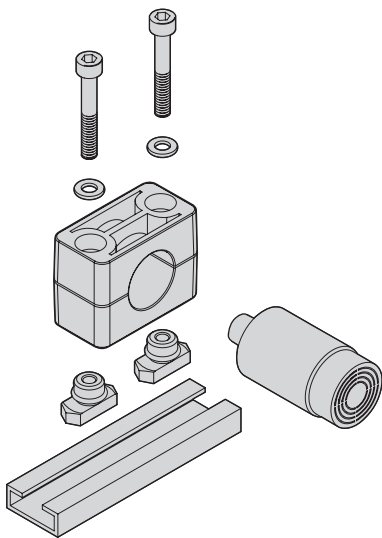
Special Clamps for INDUSTRIAL ELECTRIC APPLICATION and CUSTOM DESIGNED Clamps

- Mounting example ----- p 62



SPECIAL CLAMPS FOR INDUSTRIAL ELECTRIC APPLICATION AND CUSTOM DESIGNED CLAMPS

Proximity switches cylindrical



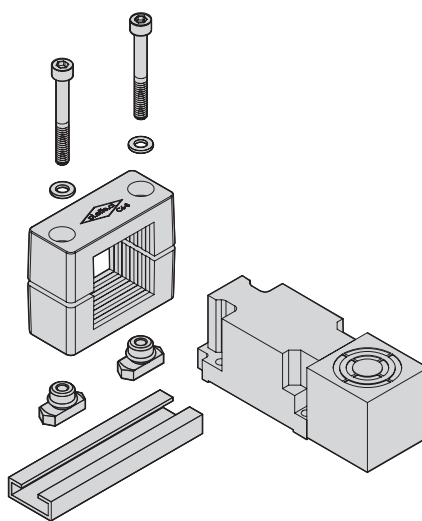
Order code: see standard series.

Proximity switches Cylindrical type.

Mounting clamps and accessories standard series.

We recommend the use of the rail for the axial and horizontal position adjustment.

Proximity switches rectangular type



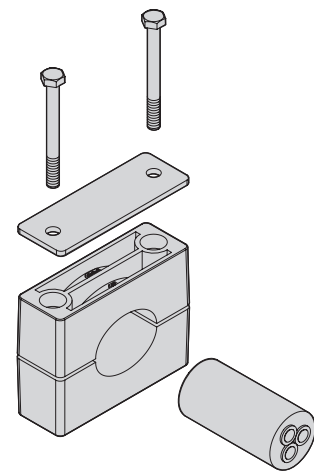
Order code: C6Q 40x40 PP

Proximity switches Rectangular type.

Mounting clamp type C6Q and accessories standard series.

We recommend the use of the rail for the axial and horizontal position adjustment.

For clamping of electric cables

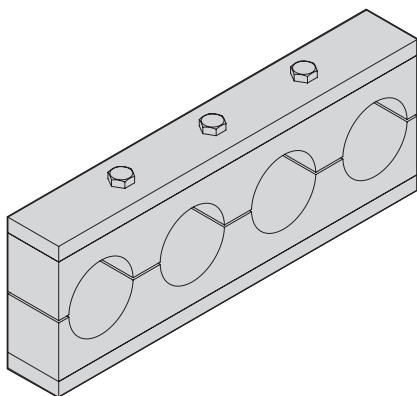


Order code: C7C 25 PP (standard series)
Order code: CP4C 50 PP (heavy series)

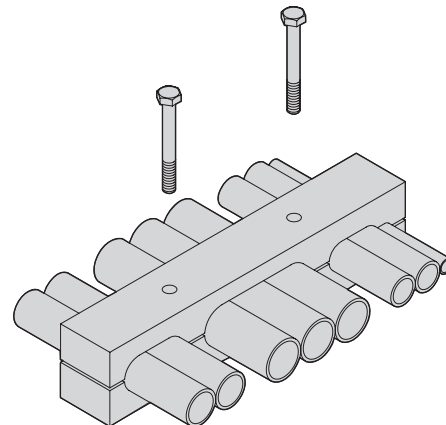
Clamps with oval hole for fixing electric cables. Clamp type C7 for the standard series for cable diameters between 20 and 50 mm. Clamp type CP4 for the heavy series for cable diameters between 40 and 72 mm.

Accessories: see Standard series and Heavy series.

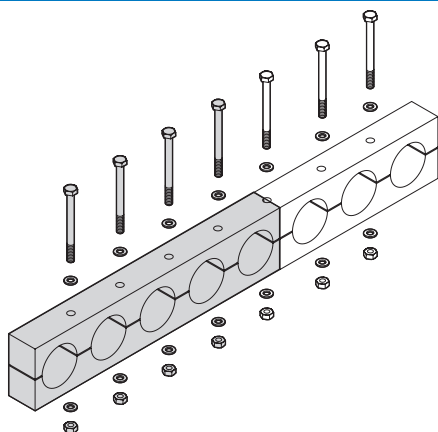
Special clamps to 4 diameters



Special clamps for tubes side by side



Special clamps from 5 to 8 diameters



NOTES

Custom designed pipe clamps, according to customer's specifications.

Accessories are available on request.

Materials: plastics and metal accessories.